



HIMACHAL PRADESH STATE ELECTRICITY BOARD LIMITED
(A State Govt. Undertaking)

No. HPSEB (Sectt.)/CESO/ERP-Hardware/Vol.IV/12- 130- 521

Dated: 18/04/2013

To

M/s HCL Infosystems Ltd.
G-21, Sector-11,
Noida (U.P.)-201301
Fax- 0120-4227753

Subject: Approval of Power and LAN cabling layout at the various locations under ERP Project.

Reference: Your office letter no. HCLINSYS/SML/ERP/HW/0313/80, Dated: 19/03/2013

Dear Sirs,

In reference to your office letter no. HCLINSYS/SML/ERP/HW/0313/80, Dated: 19/03/2013, HPSEB Ltd. hereby approves the layouts to carry out the Power and LAN cabling work at the various locations covered under ERP Project.

Therefore, you are requested to start the Power, and LAN cabling work strictly as per the approved layouts (**appended as Annexure-'A', 'B', 'C', 'D' & 'E'**)*.

DA: As Above

Yours sincerely,

O/o **Deputy Chief Engineer (IT),
Chief Engineer (SO&P),
HPSEB Ltd, Vidyut Bhawan,
Shimla-4.**

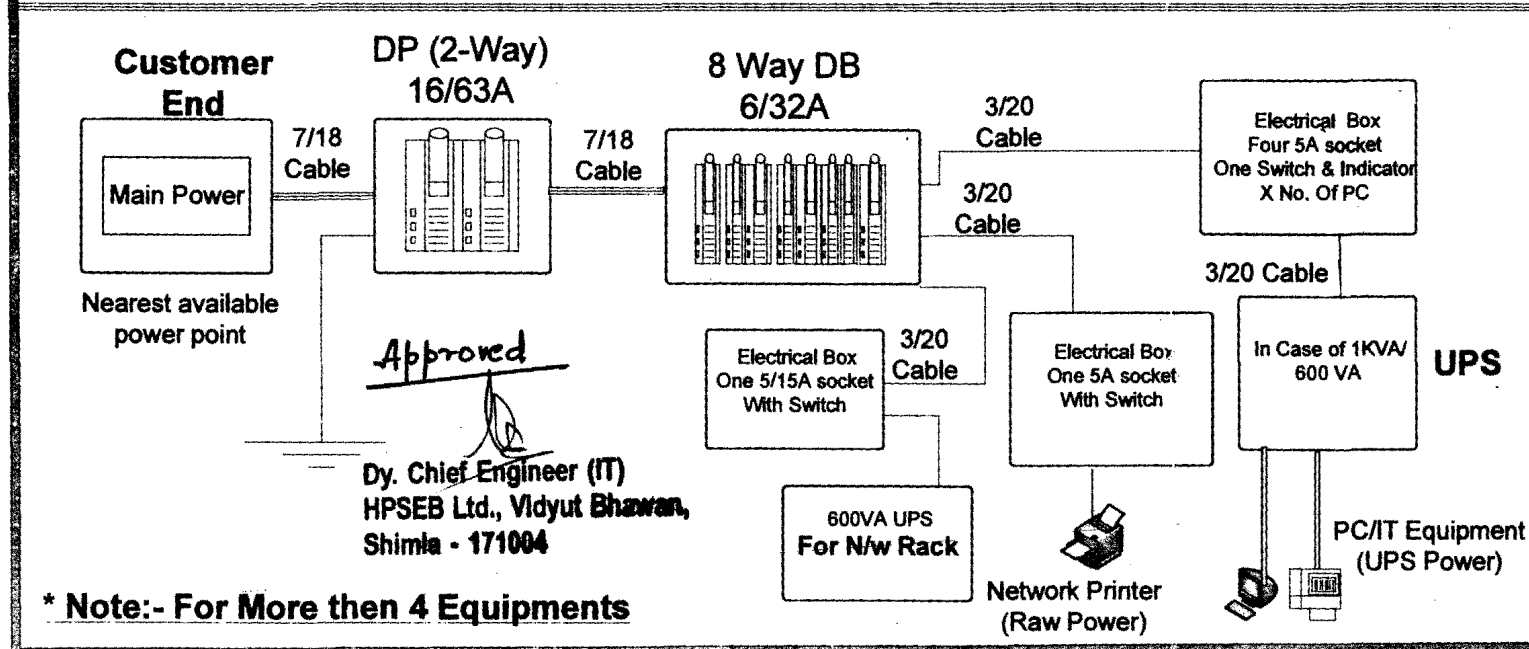
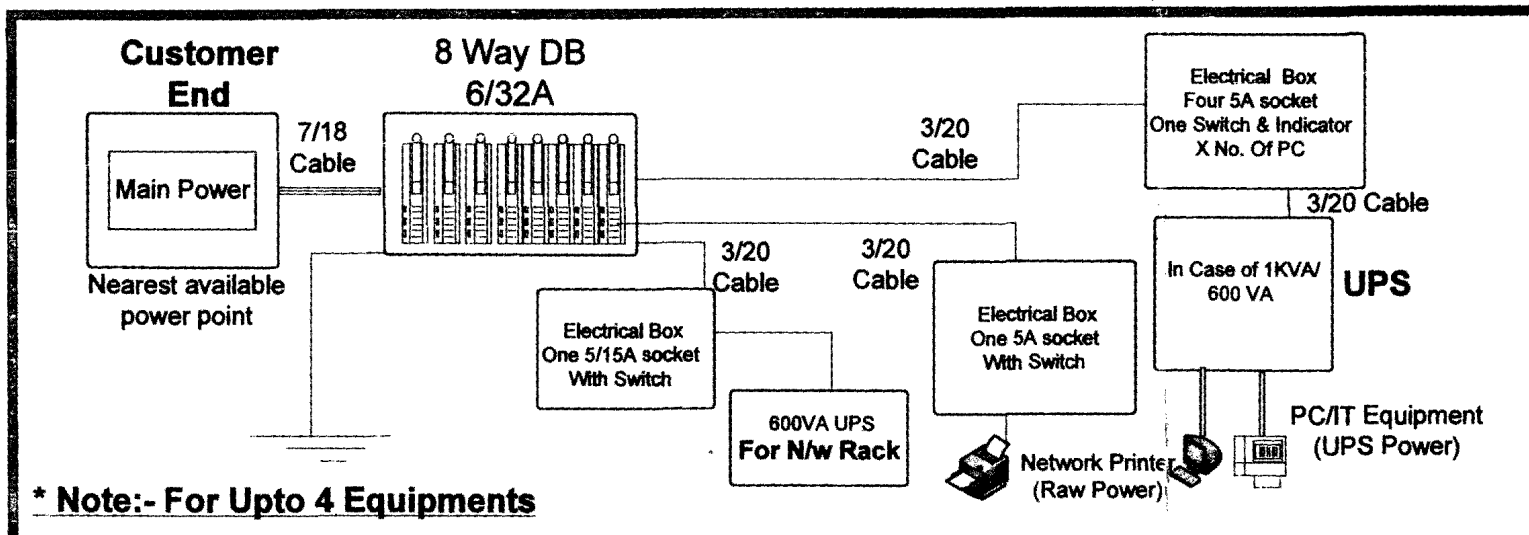
Copy for information and necessary action is forwarded to:-

1. All the Chief Engineer in HPSEB Ltd.
2. All the Superintending Engineer in HPSEB Ltd.
3. All the In charges of HPSEB Ltd. (eligible) locations covered under ERP Project with the request to complete the Power, and LAN cabling work strictly as per the approved layouts (**appended as Annexure—'A', 'B', 'C', 'D' & 'E'**).

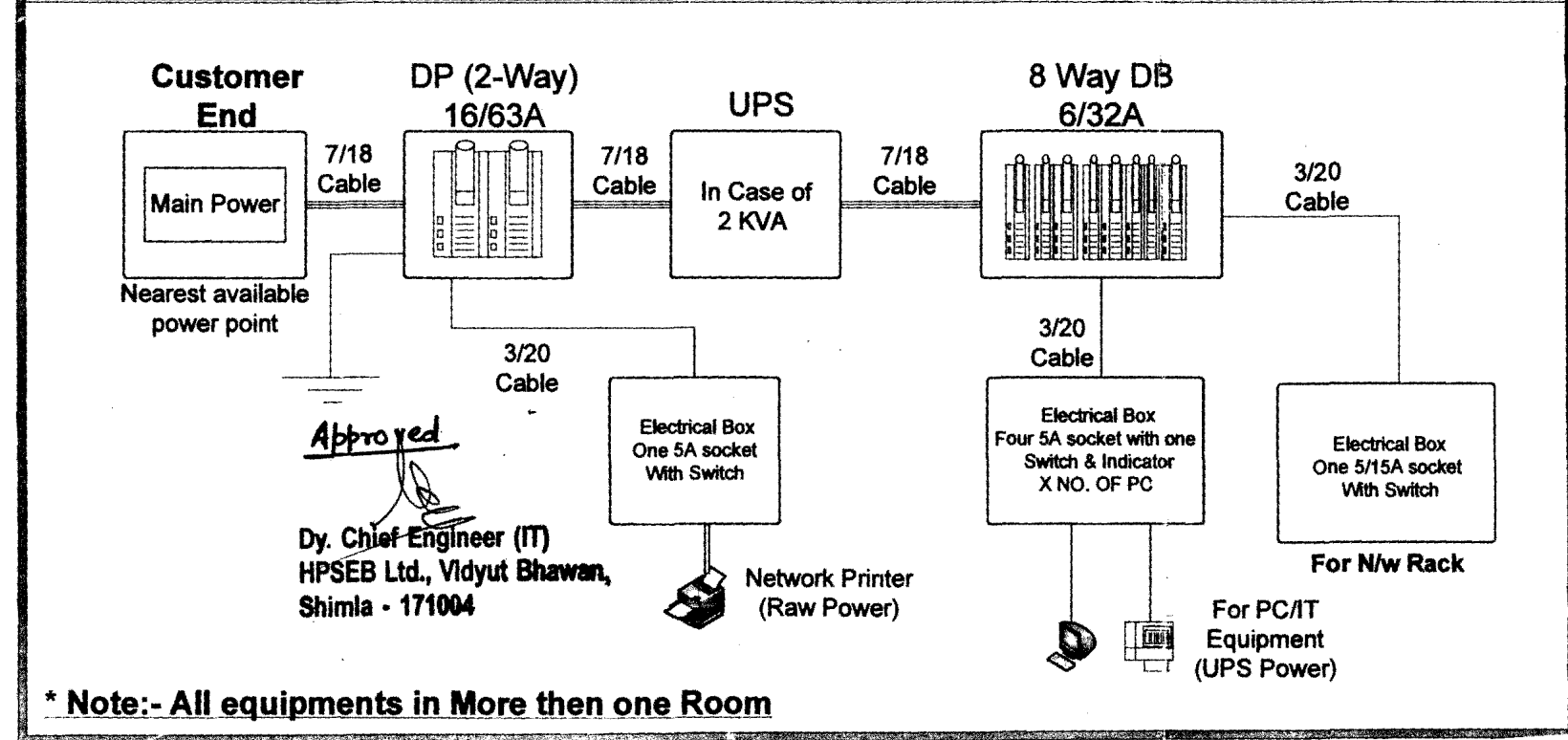
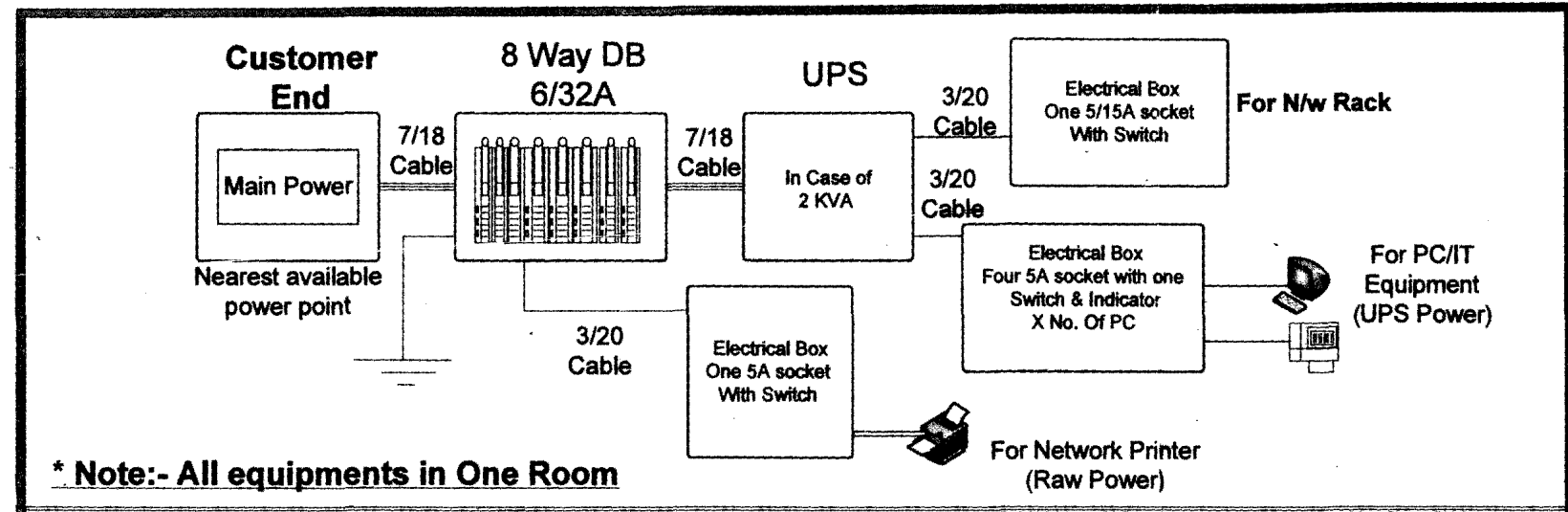
O/o **Deputy Chief Engineer (IT),
Chief Engineer (SO&P),
HPSEB Ltd, Vidyut Bhawan,
Shimla-4.**

ERP Power Cabling Layout (1KVA/600VA UPS)

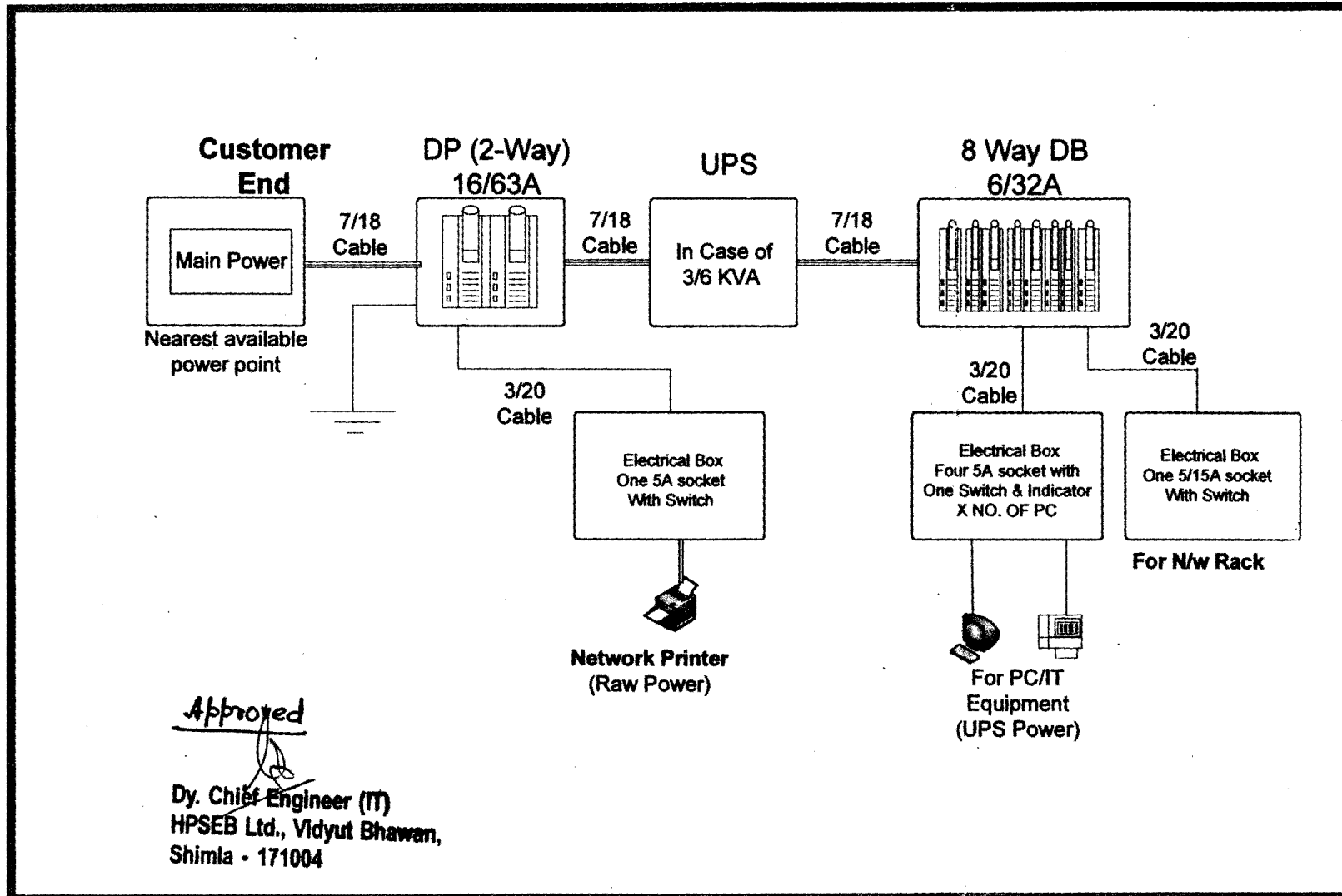
HCL
HCL INFOSYSTEMS LTD.



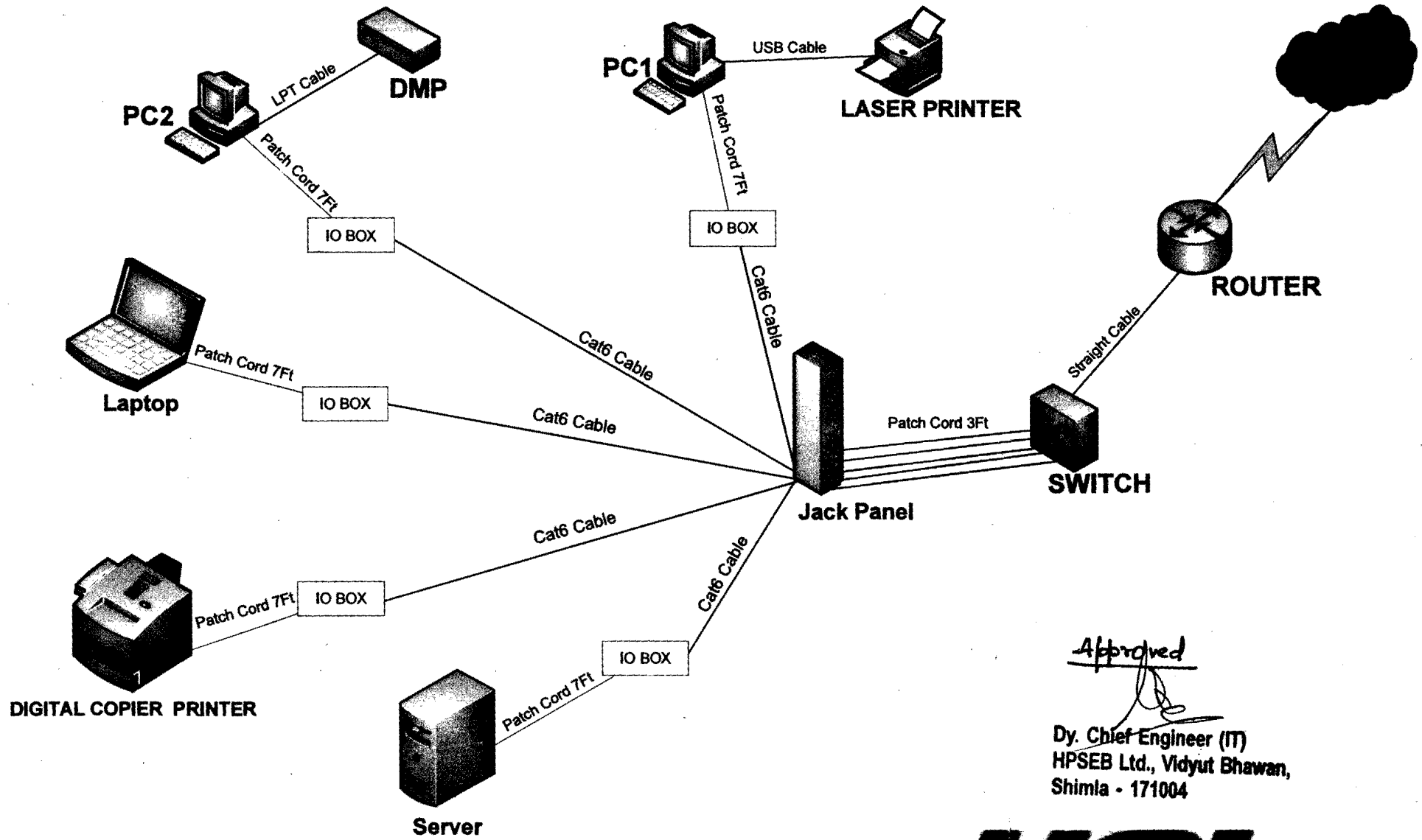
ERP Power Cabling Layout (2 KVA UPS)



ERP Power Cabling Layout (3/6 KVA UPS)



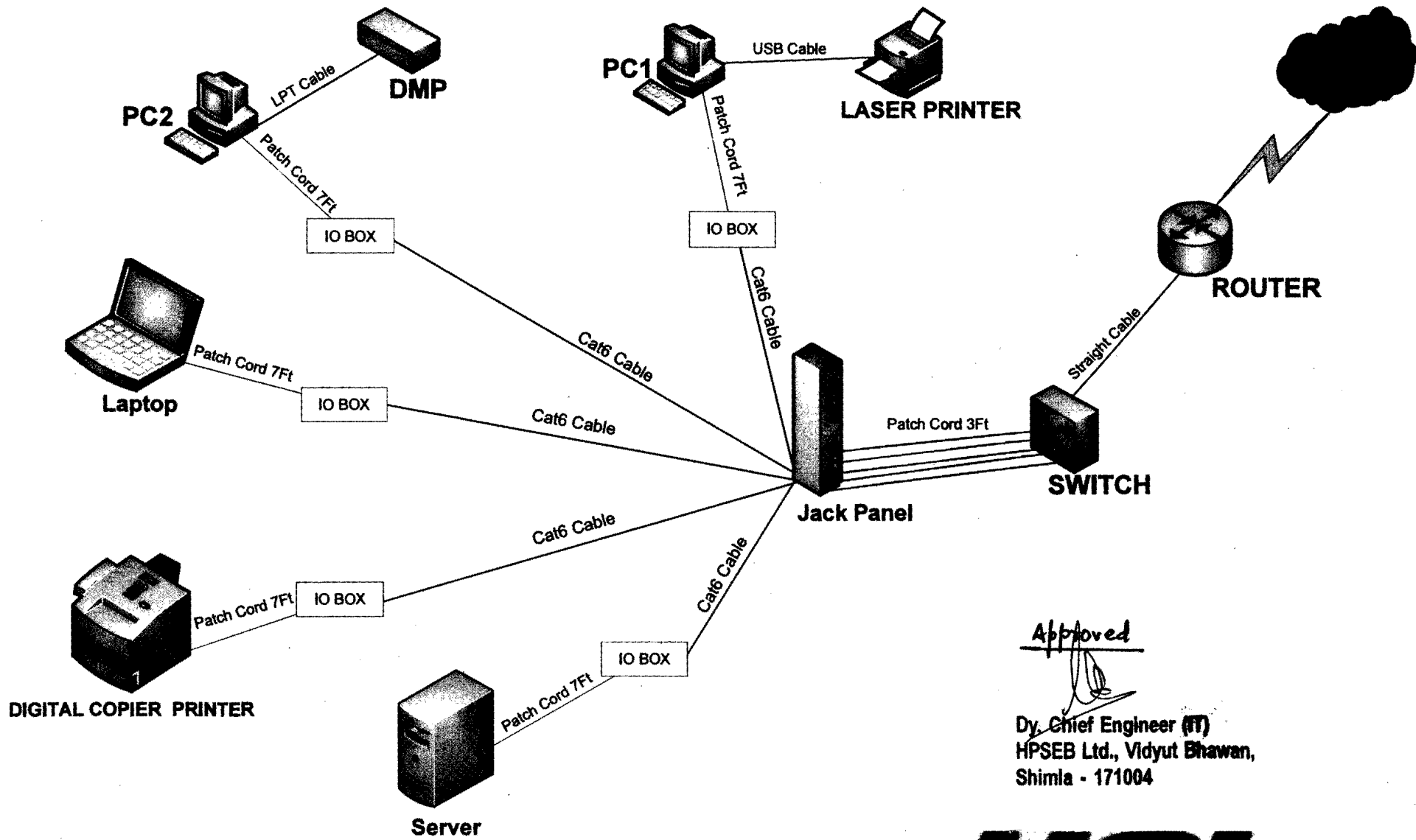
Approved
 Dy. Chief Engineer (IT)
 HPSEB Ltd., Vidyut Bhawan,
 Shimla - 171004



Approved

Dy. Chief Engineer (IT)
HPSEB Ltd., Vidyut Bhawan,
Shimla - 171004

HCL



Approved

Dy. Chief Engineer (IT)
HPSEB Ltd., Vidyut Bhawan,
Shimla - 171004

HCL